



STANDARD AGREEMENT

(version 9-29-2021)

This AGREEMENT (“Agreement”) is entered by and between **Playcore Wisconsin Inc. dba GameTime** (“Contractor”), located at **150 PlayCore Drive SE, Fort Payne, AL 35967** and the **City of League City** (“City”), a home-rule municipality, located at 300 W. Walker St., League City, Texas 77573 on the date set forth below.

Terms:

- Scope of Services:** Contractor will perform the services and/or provide the products as set forth in **Exhibit A**, which is attached and incorporated herein, and which can be generally described as **playground for Countryside – CIP PK1801N**. If there is a conflict between the terms of this Agreement and Exhibit A, the terms of this Agreement will prevail.
- Term and Termination:** This Agreement shall commence on **May 15, 2023** and shall expire on **September 30, 2023**. The period from commencement to expiration is the Contract Term. City reserves the right to terminate this Agreement for convenience upon seven (7) days written notice to Contractor. Upon such termination, City shall pay Contractor, at the rate set out in **Exhibit A**, for services satisfactorily performed or products satisfactorily provided up through the date of termination. Notwithstanding any provision in this Agreement to the contrary, City will not be required to pay or reimburse Contractor for any services performed or for expenses incurred by Contractor after the date of the termination notice that could have been avoided or mitigated by Contractor.
- Compensation:** Contractor shall be paid for the services/products as set forth in **Exhibit A**. In no event shall the total compensation exceed **\$78,067.64** during the term of this Agreement. City shall tender payment (including progress/partial payments) for services/goods only after such services are completed or goods are delivered and are deemed to be acceptable under this Agreement, in the sole reasonable discretion of City. Contractor must submit to City invoices for all goods delivered and services provided, which invoices must include details and dates of service or delivery. Payment by City shall be made within thirty (30) days of receipt of an invoice, except for any portion of the invoiced amount that City disapproves as not compliant under this Agreement, in the sole reasonable discretion of City. If City disapproves any amount submitted for payment by Contractor, City shall give Contractor specific reasons for disapproval in writing.
- Insurance:** Contractor **is** required during the Contract Term to maintain insurance as follows: (a) Comprehensive General Commercial Liability insurance covering bodily injury and property damage, with minimum coverage limits—exclusive of defense costs—of \$1,000,000 per occurrence and \$2,000,000 aggregate; (b) If Contractor will provide City “professional services,” as that term is used in Chapter 252 of the Texas Local Government Code, Professional Liability (errors and omissions/malpractice) insurance with minimum coverage limits—exclusive of defense costs—of \$2,000,000 per occurrence; and (c) If at any point during the Contract Term it is foreseeable that Contractor will enter upon City premises: (i) Worker’s Compensation coverage with statutory limits for the State of Texas, and (ii) Commercial Automobile Liability coverage with minimum coverage limits—exclusive of defense costs—of \$1,000,000 per occurrence and \$2,000,000 aggregate. All policies must contain a waiver of subrogation against City. Comprehensive General Liability and Commercial Automobile Liability policies must name the City as Additional Insured. Contractor shall pay all insurance deductibles and deductibles must not exceed

\$250,000 unless approved in advance by City. Contractor shall provide City Certificates of Insurance evidencing these insurance requirements prior to the start of work.

5. **Liquidated Damages:** Contractor acknowledges that time is of the essence in performing this Agreement. City and Contractor (collectively, the "Parties") agree that if Contractor is late in performing any obligation of this Agreement, City will suffer loss, damages, or other harm from Contractor's delay. The Parties agree that the amount of loss, damages, or harm likely to be incurred is incapable or difficult to precisely estimate, and therefore Contractor agrees to pay City liquidated damages for delay at a daily rate equal to the total compensation allowed under the Agreement divided by the number of days in the Contract Term. The Parties further agree that: (i) the liquidated damages specified herein are not a penalty but rather bear a reasonable relationship to, and is not plainly or grossly disproportionate to, the probable loss likely to be incurred by City as a result of Contractor's delay; (ii) one of the reasons for City and Contractor to agree to such amounts is the uncertainty and cost of litigation regarding the question of actual damages; and (iii) City and Contractor are sophisticated business parties and negotiated this Agreement at arm's length.
6. **Independent Contractor:** Contractor is an independent contractor and is not an employee, partner, joint venture, or agent of City. Contractor understands and agrees that he/she will not be entitled to any benefits generally available to City employees. Contractor shall be responsible for all expenses necessary to carry out the services under this Agreement and shall not be reimbursed by City for such expenses except as otherwise provided in this Agreement.
7. **Intellectual Property:** This Agreement shall be an Agreement for services and the parties intend and consider any work created as a result of this Agreement, including any and all documentation, images, products or results, to be a work (the "Work") for hire under federal copyright law. Ownership of the Work shall belong to and remain the exclusive property of City. The Work may be edited at any time within City's discretion. If the Work would not be considered a work-for-hire under applicable law, Contractor hereby assigns, transfers, and conveys any and all rights, title and interest to City, including without limitation all copyrights, patents, rights of reproduction, rights to ownership, and right to secure registrations, renewals, reissues and extensions thereof. As the sole copyright holder of the Work, City maintains and asserts the rights to use, reproduce, make derivative works from, and/or edit the Work in any form of medium, expression or technology now known or hereafter developed, at any time within City's discretion. Contractor shall not sell, disclose or obtain any other compensation for the services provided herein or the Work. If the Work is one to which the provisions of 17 U.S.C. § 106A apply, Contractor hereby waives and appoints City to assert on Contractor's behalf Contractor's moral rights or any equivalent rights regarding the form or extent of any alteration to the Work (including, without limitation, removal or destruction) or the making of any derivative works based on the Work, including, without limitation, photographs, drawings or other visual reproductions of the work, in any medium, for City's purposes.
8. **Confidentiality:** During the course of the services to be provided under this Agreement, Contractor may become privy to confidential information of City. Contractor agrees to treat as confidential the information or knowledge that becomes known to Contractor during performance of this Agreement and to not use, copy, or disclose such information to any third party unless authorized in writing by City. This provision does not restrict the disclosure of any information that is required to be disclosed under applicable law. Contractor shall promptly notify City of any misuse or unauthorized disclosure of City's confidential information and upon expiration of this Agreement shall return to City all confidential information in Contractor's possession or control. Contractor shall further comply with all information security policies of City that may apply and shall not make any press releases, public statements or advertisement referring to the services provided under this Agreement or the engagement of Contractor without the prior written approval of City.
9. **Warranties and Representations:** Contractor warrants and agrees that Contractor shall perform its services and conduct all operations in conformity with all applicable federal, state, and local laws, rules, regulations, and ordinances. For any service performed on premises owned or controlled by City,

Contractor warrants and agrees that Contractor will perform said services in compliance with all City rules, including but not limited to, prohibitions related to tobacco use, alcohol, and other drugs.

10. **Licenses/Certifications:** Contractor represents and warrants that it will obtain and maintain in effect, and pay the cost of, all licenses, permits or certifications that may be necessary for Contractor's performance of this Agreement. If Contractor is a business entity, Contractor warrants, represents, covenants, and agrees that it is duly organized, validly existing and in good standing under the laws of the state of its formation; and is duly authorized and in good standing to conduct business in the State of Texas, that it has all necessary power and has received all necessary approvals to execute and deliver the Agreement and is authorized to execute this Agreement according to its terms on behalf of Contractor.
11. **Performance/Qualifications:** Contractor agrees and represents that Contractor has the personnel, experience, and knowledge necessary to qualify Contractor for the particular duties to be performed under this Agreement. Contractor warrants that all services performed under this Agreement shall be performed consistent with generally prevailing professional or industry standards.
12. **Conflict of Interest:** Contractor warrants, represents, and agrees that Contractor presently has no interest and shall not acquire any interest, direct or indirect, that would conflict in any manner or degree with Contractor's performance of the services hereunder. Contractor further warrants and affirms that no relationship or affiliation exists between Contractor and City that could be construed as a conflict of interest with regard to this Agreement.
13. **INDEMNIFICATION: CONTRACTOR SHALL DEFEND, INDEMNIFY AND HOLD HARMLESS CITY , AND EACH OF ITS OFFICIALS, OFFICERS, AGENTS AND EMPLOYEES FROM AND AGAINST ALL CLAIMS, ACTIONS, SUITS, DEMANDS, PROCEEDINGS, COSTS, DAMAGES AND LIABILITIES, INCLUDING WITHOUT LIMITATION ATTORNEYS' FEES AND REASONABLE LITIGATION COSTS, ARISING OUT OF, CONNECTED WITH, OR RESULTING FROM ANY NEGLIGENT ACTS OR OMISSIONS OF CONTRACTOR OR ANY AGENT, EMPLOYEE, SUBCONTRACTOR, OR SUPPLIER OF CONTRACTOR IN THE EXECUTION OR PERFORMANCE OF THIS CONTRACT, TO THE EXTENT THE CLAIM ARISES FROM NEGLIGENCE, WILLFUL ACT, BREACH OF CONTRACT OR VIOLATION OF LAW.**
14. **Force Majeure:** Neither City nor Contractor shall be liable for any delay in the performance of this Agreement, nor for any other breach, nor for any loss or damage arising solely from uncontrollable forces such as fire, theft, storm, war, or any other force majeure that could not have been reasonably avoided by the exercise of due diligence.
15. **Notices:** Any notice given under this Agreement by either party to the other may be affected either by personal delivery in writing or by mail, registered or certified postage prepaid with return receipt requested. Mailed notices shall be addressed to the addresses of the Parties as they appear in the contract. Notices delivered personally shall be deemed communicated at the time of actual receipt. Mailed notices shall be deemed communicated three (3) days after mailing.

16. **Texas Family Code Child Support Certification:** Pursuant to Section 231.006 of the Texas Family Code, Contractor certifies that it is not ineligible to receive the award of or payments under the Agreement and acknowledges that the Agreement may be terminated, and payment may be withheld if this certification is inaccurate.
17. **State and/or City Auditor:** Contractor understands that acceptance of funds under the Agreement constitutes acceptance of the authority of the Texas State Auditor's Office, or any successor agency or the City's internal auditor (collectively, the "Auditor"), to conduct an audit or investigation in connection with those funds. Contractor agrees to cooperate with the Auditor in the conduct of the audit or investigation, including without limitation providing all records requested. Contractor will include this provision in all contracts with permitted subcontractors.
18. **Jurisdiction:** Any disputes under this Agreement shall be brought in a court of competent jurisdiction in Galveston, Texas and governed by Texas law.
19. **Alternative Dispute Resolution:** To the extent that Chapter 2260, Texas Government Code, is applicable to this Contract and is not preempted by other applicable law, the dispute resolution process provided for in Chapter 2260 and the related rules adopted by the Texas Attorney General Pursuant to Chapter 2260, shall be used by City and Contractor to attempt to resolve any claim for breach of contract made by Contractor that cannot be resolved in the ordinary course of business. The Director of Finance of City shall examine Contractor's claim and any counterclaim and negotiate with Contractor in an effort to resolve such claims. This provision shall not be construed as a waiver by City of its right to seek redress in the courts.
20. **Entire Agreement:** This Agreement contains the entire understanding between the Parties and supersedes all prior agreements, arrangements, and understanding, oral or written between the Parties relating to this Agreement. This Agreement may not be modified except by mutual written agreement of the Parties executed subsequent to this Agreement.
21. **Eligibility to Receive Payment:** Contractor certifies that, as a matter of state law, it is not ineligible to receive the Agreement and payments pursuant to the Agreement and acknowledges that the Agreement may be terminated, and payment withheld if this representation is inaccurate.
22. **Payment of Debt/Delinquency to State:** Contractor certifies that it is not indebted to the City of League City and is current on all taxes owed to the City of League City. Contractor agrees that any payments owing to Contractor under the Agreement may be applied directly toward any debt or delinquency that Contractor owes the City of League City regardless of when it arises, until such debt or delinquency is paid in full.
23. **Products and Materials Produced in Texas:** If Contractor will provide services under the Agreement, Contractor covenants and agrees that in performing its duties and obligations under the Agreement, it will purchase products and materials produced in Texas when such products and materials are available at a price and delivery time comparable to products and materials produced outside of Texas.
24. **Risk of Loss:** If applicable, all work performed by Contractor pursuant to the Agreement will be at Contractor's exclusive risk until final and complete acceptance of the work by City. In the case of any loss or damage to the work prior to City's acceptance, bearing such loss or damage will be Contractor's responsibility.
25. **Publicity:** Contractor shall not use City's name, logo or likeness in any press release, marketing materials or other public announcement without receiving City's prior written approval.
26. **Legal Construction/Severability:** In the event that any one or more of the provisions contained in this Agreement shall for any reason be held to be invalid, illegal or unenforceable in any respect, such invalidity, illegality or unenforceability shall not affect any other provision, and this Agreement shall be construed as if such invalid, illegal or unenforceable provisions had never been contained in it. To this end, the

provisions of this Agreement are declared to be severable. The Parties may mutually agree to renegotiate the Agreement to cure such illegality/invalidity or unconstitutionality if such may be reasonably accomplished.

27. **Limitations:** The Parties are aware that there are constitutional and statutory limitations on the authority of City to enter into certain terms and conditions of the Agreement, including, but not limited to, those terms and conditions relating to liens on City's property; disclaimers and limitations of warranties; disclaimers and limitations of liability for damages; waivers, disclaimers and limitations of legal rights, remedies, requirements and processes; limitations of periods to bring legal action; granting control of litigation or settlement to another party; liability for acts or omissions of third parties; payment of attorneys' fees; dispute resolution; indemnities; and confidentiality (collectively, the "Limitations"). Any terms and conditions related to the Limitations will not be binding on City except to the extent authorized by the laws and Constitution of the State of Texas.
28. **Sovereign Immunity:** The Parties agree that neither the execution of the Agreement by City nor any other conduct, action or inaction of any City representative relating to the Agreement constitutes a waiver of sovereign immunity by City.
29. **Authority:** Contractor warrants and represents that Contractor has full power and authority to enter into and perform this Agreement and to make the grant of rights contained herein. The person signing on behalf of City represents that he/she has authority to sign this Agreement on behalf of City.
30. **Non-Waiver:** The Parties specifically agree that neither the occurrence of an event giving rise to a breach of contract claim nor the pendency of a claim constitute grounds for the suspension of performance by Contractor. No covenant or condition of this Agreement may be waived except by written consent of the waiving party. Forbearance or indulgence by one party in any regard whatsoever shall not constitute a waiver of the covenant or condition to be performed by the other party.
31. **Prohibitions Pursuant to Texas Government Code:** By executing this Agreement Contractor verifies that Contractor (1) does not boycott Israel and will not during the term of this Agreement per Section 2274.002; (2) is not engaged in business with Iran, Sudan, or any company on the list referenced in Section 2252.152; (3) does not boycott energy companies and will not during the term of this Agreement per 2274.002; and (4) does not have a practice, policy, guidance, or directive of this Agreement against a firearm entity or firearm trade association and will not during the term of this Agreement per 2274.002.

(signature block on next page)

Executed on _____ . (date to be filled in by City Secretary)

PLAYCORE WISCONSIN, INC DBA GAMETIME - "Contractor"



Clint T. Whiteside, Director of Sales Administration

CITY OF LEAGUE CITY - "City"

John Baumgartner, City Manager

Attest:

Diana Stapp, City Secretary

Approved as to Form:

Office of the City Attorney

Exhibit A

Scope of Services/Description of Products/Payment Schedule
(There are 8 pages for Exhibit A, including this page)

Vendor Proposal



Cunningham Recreation
 PO Box 240981
 Charlotte, NC 28224
 800.438.2780
 704.525.7356 FAX
 www.cunninghamrec.com

04/21/2023
 Quote #
 163599-01-03

Countryside Park II - Thrive 250 and 5-12 Playground Rev 2

City of League City
 Attn: Cameron Parker
 1251 Link Road
 League City, TX 77573
 Phone: 281-554-1180
 cameron.parker@leaguecitytx.gov

Ship to Zip 77301

Quantity	Part #	Description	Unit Price	Amount
1	5949SP	GameTime - VistaArc Dome 2 [Basic: _____] [Basic 2: _____] [Netting: _____]	\$24,288.00	\$24,288.00
1	14911	GameTime - Thrive 250 [Accent: _____] [Basic: _____] [Basic 2: _____]	\$14,856.00	\$14,856.00
1	161291	GameTime - Geo-Textile 1125 Sqft Roll	\$544.00	\$544.00
1	178749	GameTime - Owner's Kit	\$84.00	\$84.00
55	EWf	GT-Impax - Engineered Wood Fiber Safety Surfacing (CY)- <ul style="list-style-type: none"> • Area: 910 Sq.Ft. (plus an additional 10 CY to top off swing area) • Thickness (Compacted): 12" 	\$26.00	\$1,430.00
354	PIP	GT-Impax - Poured in Place Rubber Surfacing- <ul style="list-style-type: none"> • Area: 354 Sq.Ft. • Thickness: 4.5" for 10' CFH • Aromatic Binder • 50/50 Standard EPDM Color/Black • Flush Edges • Regular Wages, Based on good access, no design • Site prep, subbase and security by others 	\$60.43	\$21,392.22
1	INSTALL	MISC - Installation of Above Equipment, surfacing, two sides of concrete curbs and Subbase only; curbs for new unit by others;- <i>No other site work, demolition or concrete work included. Acquisition of any and all permits is the sole responsibility of the customer. Standard installation does not include any extra or additional machinery, drillers, etc., for rock excavation. If rock conditions are encountered, additional charges will apply.</i>	\$12,576.00	\$12,576.00
Contract: Buy Board Contract #679-22			Sub Total	\$75,170.22
			Discount	(\$3,921.28)
			Estimated Freight	\$6,818.70
			Total	\$78,067.64

Comments

Freight Calculated to Installer's Zip Code 77301:

DUE TO FLUCTUATING FUEL COSTS, FREIGHT SHOWN IS ESTIMATED FREIGHT. ACTUAL FREIGHT WILL BE DETERMINED AT THE TIME OF YOUR ORDER.

PLEASE FEEL FREE TO CONTACT US TO VERIFY CURRENT FREIGHT CHARGES PRIOR TO PLACING YOUR ORDER.



Cunningham Recreation
PO Box 240981
Charlotte, NC 28224
800.438.2780
704.525.7356 FAX
www.cunninghamrec.com

04/21/2023
Quote #
163599-01-03

Countryside Park II - Thrive 250 and 5-12 Playground Rev 2

GAMETIME - TERMS & CONDITIONS:

- **PRICING:** Due to volatile economic demand, pricing is valid for 30 days. Pricing is subject to change. Request updated pricing when purchasing from quotes more than 30 days old.
- **TERMS OF SALE:** For equipment & material purchases, Net 30 days from date of invoice for governmental agencies and those with approved credit. All others, full payment for equipment, taxes and freight up front. Balance for services & materials due upon completion or as otherwise negotiated upon credit application review. Pre-payment may be required for equipment orders totaling less than \$5,000. Payment by VISA, MasterCard, or AMEX is accepted (If you elect to pay by credit card, GameTime charges a 2.50% processing fee that is assessed on the amount of your payment. This fee is shown as a separate line item and included in the total amount charged to your credit card. You have the option to pay by check, ACH or Wire without any additional fees.). Checks should be made payable to Playcore Wisconsin, Inc. d/b/a GameTime unless otherwise directed.
- **CREDIT APPLICATION:** Required for all non-governmental agencies and those entities who have not purchased from GameTime within the previous twelve calendar months.
- **FINANCE CHARGE:** A 1.5% monthly finance charge (or maximum permitted by law) will be added to all invoices over 30 days past due.
- **CASH WITH ORDER DISCOUNT:** Orders for GameTime equipment paid in full at time of order via check or electronic funds transfer (EFT) are eligible for a 3% cash-with-order (CWO) discount.
- **ORDERS:** All orders shall be in writing by purchase order, signed quotation or similar documentation. Purchase orders must be made out to Playcore Wisconsin, Inc. d/b/a GameTime.
- **FREIGHT CHARGES:** Shipments shall be F.O.B. destination. Freight charges prepaid and added separately.
- **SHIPMENT:** Standard Lead time is 12-14 weeks (some items may take longer) after receipt and acceptance of purchase order, credit application, color selections and approved drawings or submittals.
- **PACKAGING:** All goods shall be packaged in accordance with acceptable commercial practices and marked to preclude confusion during unloading and handling.
- **RECEIPT OF GOODS:** Customer shall coordinate, receive, unload, inspect and provide written acceptance of shipment. Any damage to packaging or equipment must be noted when signing delivery ticket. If damages are noted, receiver must submit a claim to Cunningham Recreation within 15 Days. Receiver is also responsible for taking inventory of the shipment and reporting any concealed damage or discrepancy in quantities received within 60 days of receipt.
- **RETURNS:** Returns are only available on shipments delivered within the last 60 days. A 25% (min.) restocking fee will be deducted from any credit due. Customer is responsible for all packaging & shipping charges. Credit is based on condition of items upon return. All returns must be in unused and merchantable condition. GameTime reserves the right to deduct costs associated with restoring returned goods to merchantable condition. Uprights & custom products cannot be returned.
- **TAXES:** Sales tax is shown as a separate line item when included. A copy of your tax exemption certificate must be submitted at time of order or taxes will be added to your invoice.

INSTALLATION CONDITIONS:

- **ACCESS:** Site should be clear, level and allow for unrestricted access of trucks and machinery.
- **STORAGE:** Customer is responsible for providing a secure location to off-load and store the equipment during the installation process. Once equipment has delivered to the site, the owner is responsible should theft or vandalism occur unless other arrangements are made and noted on the quotation.
- **FOOTER EXCAVATION:** Installation pricing is based on footer excavation through earth/soil only. Customer shall be responsible for unknown conditions such as buried utilities (public & private), tree stumps, rock, or any concealed materials or conditions that may result in additional labor or materials cost.
- **UTILITIES:** Installer will contact 811 to locate all public utilities prior to layout and excavation of any footer holes. Owner is responsible for locating any private utilities.
- **ADDITIONAL COSTS:** Pricing is based on a single mobilization for installation unless otherwise noted. Price includes ONLY what is stated in this quotation. If additional site work or specialized equipment is required, pricing is subject to change.



Cunningham Recreation
PO Box 240981
Charlotte, NC 28224
800.438.2780
704.525.7356 FAX
www.cunninghamrec.com

04/21/2023
Quote #
163599-01-03

Countryside Park II - Thrive 250 and 5-12 Playground Rev 2

ACCEPTANCE OF QUOTATION:

Acceptance of this proposal indicates your agreement to the terms and conditions stated herein.

Accepted By (printed): _____ Title: _____

Telephone: _____ Fax: _____

P.O. Number: _____ Date: _____

Purchase Amount: **\$78,067.64**

SALES TAX EXEMPTION CERTIFICATE #: _____

(PLEASE PROVIDE A COPY OF CERTIFICATE)

Salesperson's Signature

Customer Signature

BILLING INFORMATION:

Bill to: _____

Contact: _____

Address: _____

Address: _____

City, State: _____ Zip: _____

Tel: _____ Fax: _____

E-mail: _____

SHIPPING INFORMATION:

Ship to: _____

Contact: _____

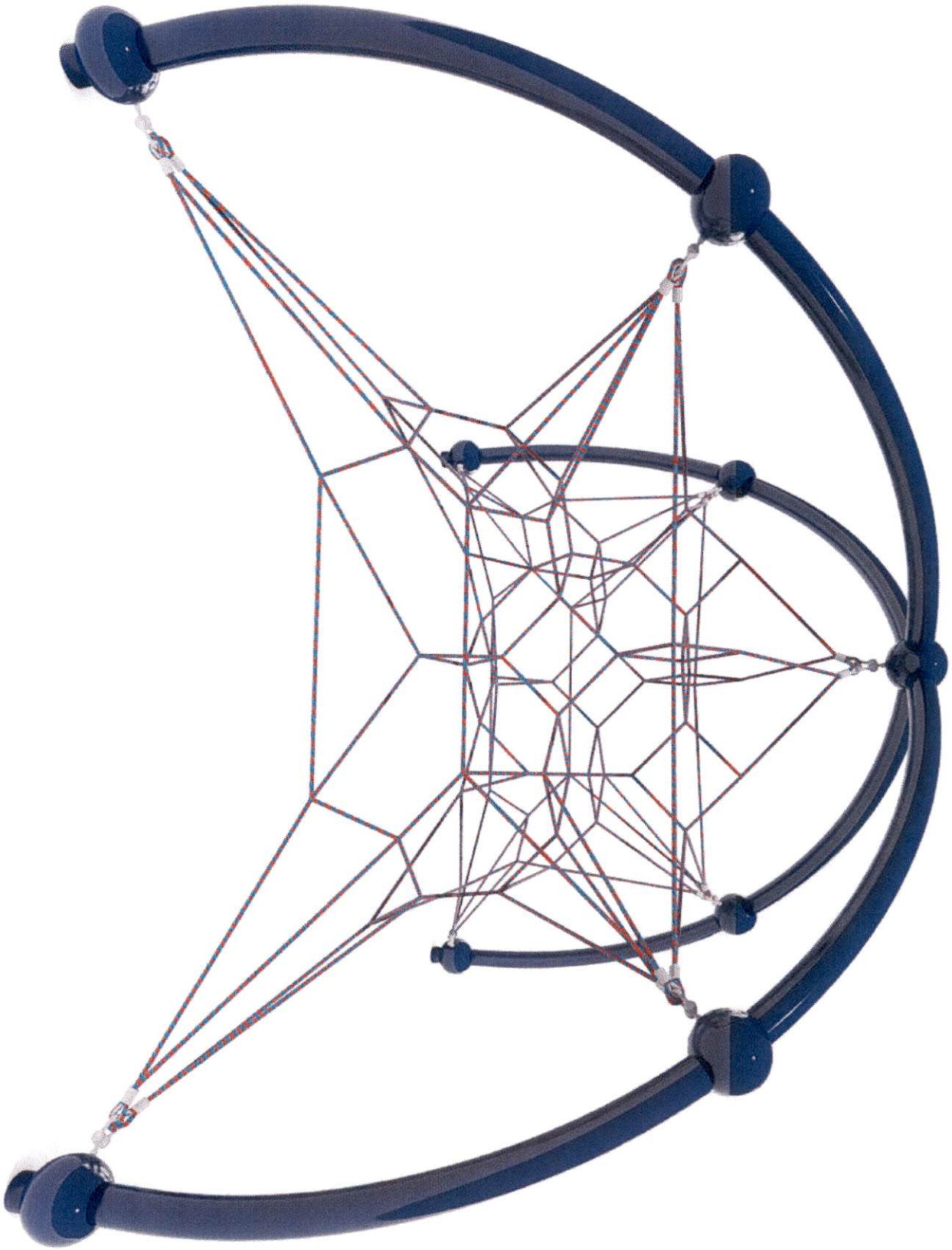
Address: _____

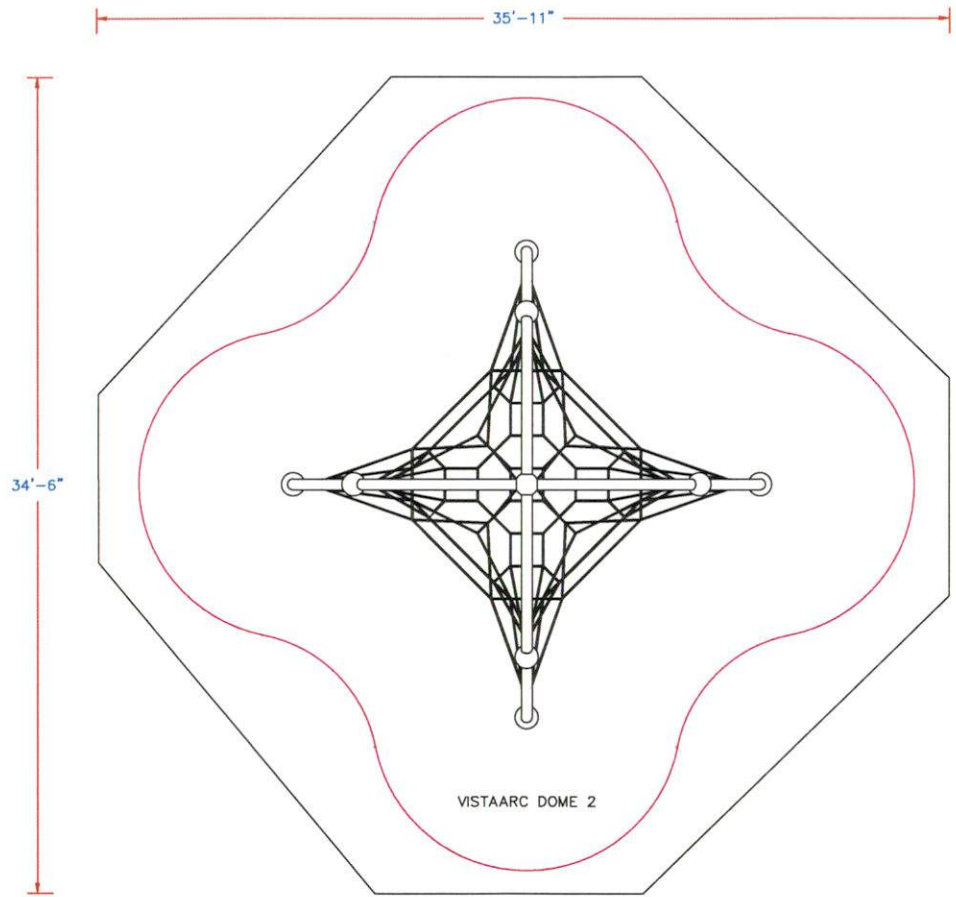
Address: _____

City, State: _____ Zip: _____

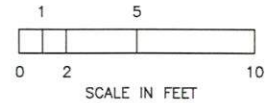
Tel: _____ Fax: _____

E-mail: _____





VISTAARC DOME 2



A PLAYCORE Company
 150 PlayCore Drive SE
 Fort Payne, AL 35967
 www.gametime.com



CITY OF LEAGUE CITY / COUNTRYSIDE PARK II
 VISTAARC DOME
 LEAGUE CITY, TX
 Representative
 CUNNINGHAM RECREATION

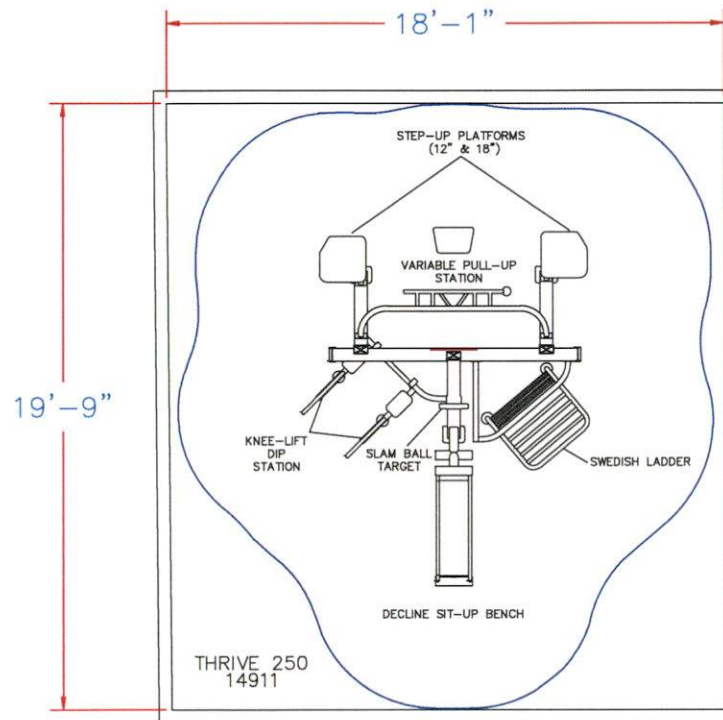
This play equipment is recommended for children ages
 5-12

Minimum Area Required:
 Scale: 1" = 5'-0"
 This drawing can be scaled only when in an 11" x 17" format

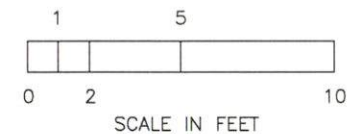
IMPORTANT: Soft resilient surfacing should be placed in the use zones of all equipment, as specified for each type of equipment, and at depths to meet the critical fall heights as specified by the U.S. consumer Product Safety Commission, ASTM standard F 1487 and Canadian Standard CAN/CSA-Z-614

Drawn By:
 JH/BM
 Date:
 4/17/2023
 Drawing Name:
 163599-01-03





SURFACING	
TYPE	PIP
SQ FT	354
DEPTH	TBD



This Unit includes play events and routes or travel specifically designed for special needs users. It is the opinion of the manufacturer that these play events and routes of travel conform to the accessibility requirements of the ADA (Americans with Disabilities Act)

Total Elevated Play Components	0	Required	0
Total Elevated Play Components Accessible By Ramp	0	Required	0
Total Elevated Components Accessible By Transfer	0	Required	0
Total Accessible Ground Level Components Shown	0	Required	0
Total Different Types Of Ground Level Components	0	Required	0



150 PlayCore Drive SE
Fort Payne, AL 35967
www.game-time.com



City of League City
Countryside Park II Thrive 250
League City, TX

Representative
Cunningham Recreation

This play equipment is recommended for children ages
5-12

Minimum Area Required:
18'-1" X 19'-9"

Scale:
This drawing can be scaled only when in an 8 1/2" x 11" format

IMPORTANT: Soft resilient surfacing should be placed in the use zones of all equipment, as specified for each type of equipment, and at depths to meet the critical fall heights as specified by the U.S. consumer Product Safety Commission, ASTM standard F 1487 and Canadian Standard CAN/CSA-Z-614

Drawn By:
JH
Date:
12/13/2022
Drawing Name:
163599-1A1